

# PRODUCT INFO



## SPORT-ROLLER HIGH-VIS

Lowrider or universal rear pannier made of reflective fabric



Additional closure with buckle and D-ring (when the bag is carried with the shoulder strap)

Buckles for closing the rolling closure at the top or for attaching the shoulder strap

High-quality 3M Scotchlite reflector

Shoulder strap with padding for comfortable carrying or for fixing to the hook

Entire bag is made of reflective fabric (neon yellow and black)



Release handle for mounting and releasing the QL2.1 system

QL2.1 bar and hooks for quick fastening to the carrier

Adjustable and rotatable mounting hook (in 15° steps) with anti scratch function

Semi-elliptical hook rail made of two-component synthetic with anti-scratch function reduces abrasions on rack

Abrasion protector

Edge protector with slots for mounting the ORTLIEB carrying system

PVC free

IP 64

Anti scratch

QL2.1 system

PS50CX

PS50X

PFAS free

height cm/in.	width cm/in.	depth cm/in.	vol. L/cu.in	weight g/oz.	max. capacity kg/lbs.
37/14.6	26/10.2	12/4.7	14,5/885	720/25.4	9/19.8

### SPECIFICATIONS:

- + Classical pannier with roll closure in bright reflective colour
- + QL2.1 mounting system for racks with max. 16 mm tube diameter
- + Reduction inserts for tube diameters 8, 10 und 12 mm with anti-scratch function preventing abrasion on the rack
- + 20 mm hook available as separate accessory (e.g. for E-bikes)
- + PVC-free reflective fabric
- + Increased visibility when hit by headlights due to highly visible reflective fabric in neon yellow and black
- + Can be used individually or as pairs for the rear or front rack (low-rider)
- + Including integrated inner pocket and shoulder strap
- + Ideal for use on children's/youth bicycles
- + Highly reflective 3M Scotchlite reflector
- + Can be easily cleaned inside

**Contents:** Panniers come as single bag with shoulder strap, reduction inserts 8, 10 and 12 mm

**Optional accessories:** Pannier Carrying System, Anti-Theft-Device (E124), Outer Pocket 2,1 L, Mesh-Pocket, Bottle-Cage, QL2.1 hook 20 mm, QL2 Lock / QL2 Lock keyed alike (F3913/ F3915)

**Attention:** Maximum load per pannier is 9kg / 20 lbs. We recommend weighing each loaded pannier to confirm that the maximum allowance of the pannier fixation is not exceeded. This practice is advised for both rear and front panniers. CAUTION: The maximum weight capacity of every carrier model is different. Please observe the maximum weight allowance of the carrier fitted to your bicycle. Note: Sometimes the maximum capacity of the panniers fixing system can exceed the maximum capacity of the carrier. DO NOT exceed the maximum capacity of the carrier! Note, that the use of panniers will significantly influence the handling properties of your bicycle.

**Note:** In order to meet standard IP64 (6=dustproof, 4=protected against splash water coming from all directions) the roll closure must be rolled at least 3-4 times.



# Q12.1-SYSTEM

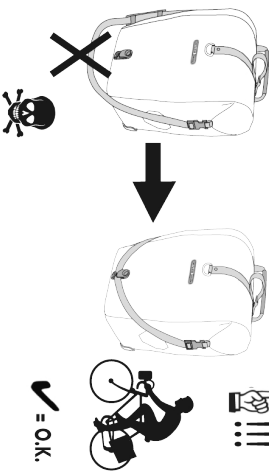
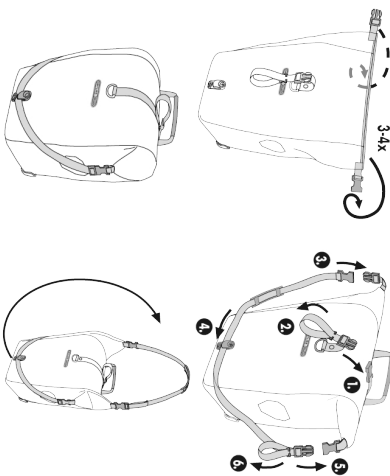
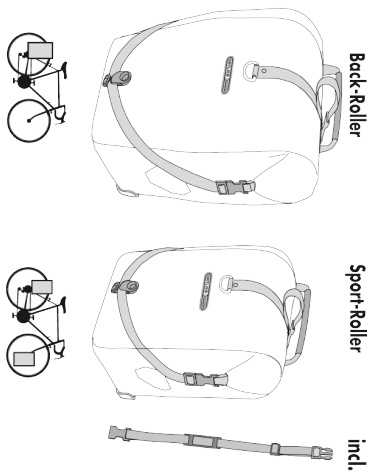
DE MONTAGEANLEITUNG  
GB ASSEMBLY INSTRUCTIONS  
FR INSTRUCTIONS DE MONTAGE

IT ISTRUZIONI DI MONTAGGIO  
NL MONTAGE HANDLEIDING  
DK MONTERINGSVEJLEDNING

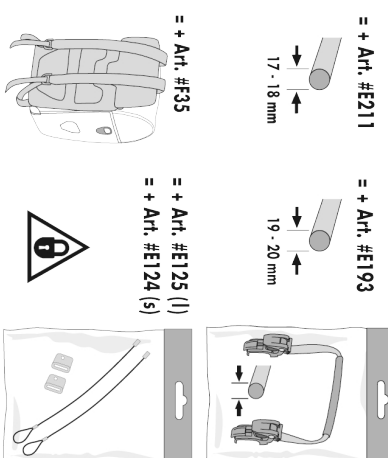
ES INSTRUCCIONES DE MONTAJE  
SE MONTERINGS ANVISNING  
NO MONTERINGS ANVISNING

FI ASENNUSOHJEET  
PL INSTRUKCJA MONTAŻU  
JP 装着方法

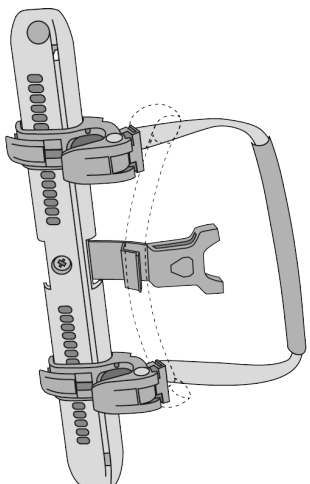
## Q12.1 - MODELS



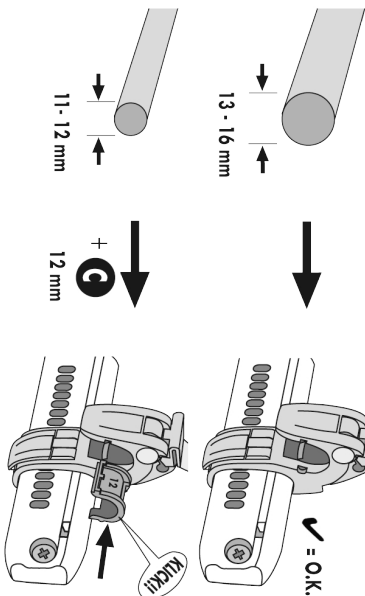
## ACCESSORIES



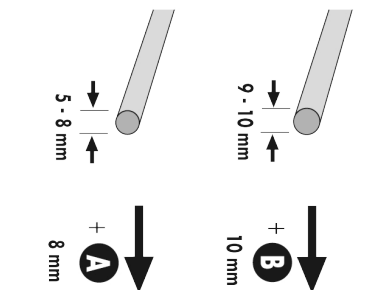
## Q12.1



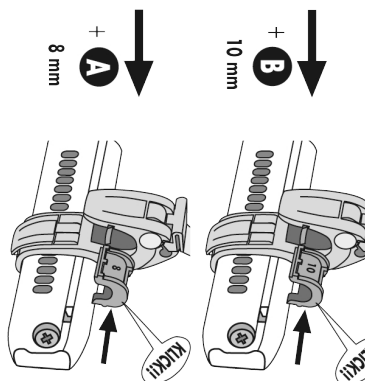
## A



## B



## C



## B

## C

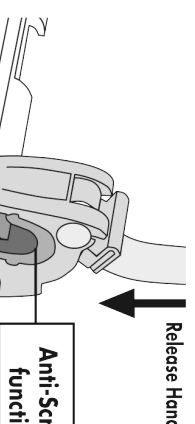
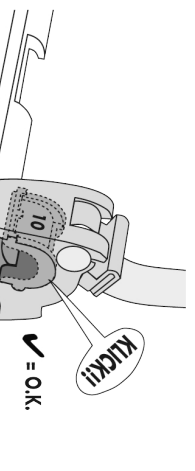
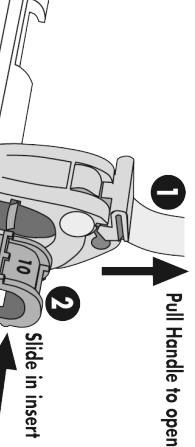
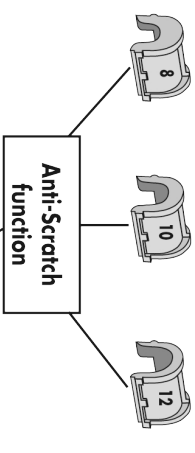
## D

= **A** 8 mm = **B** 10 mm = **C** 12 mm

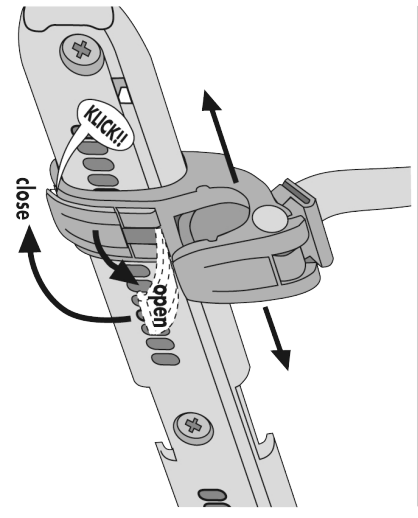
## B

## C

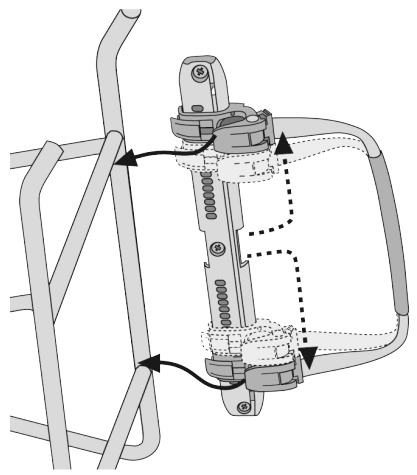
## D



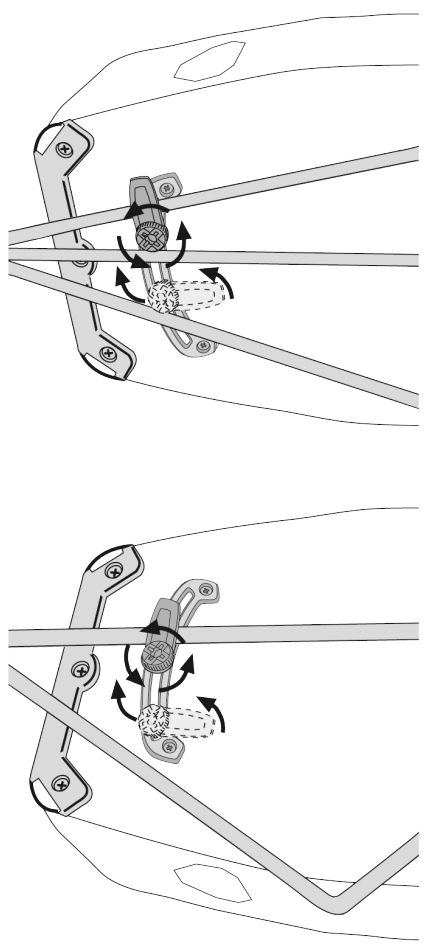
E



F

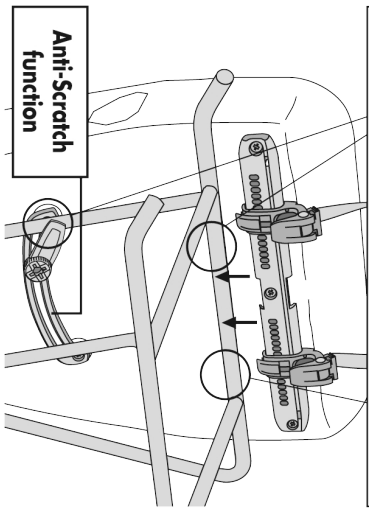


K

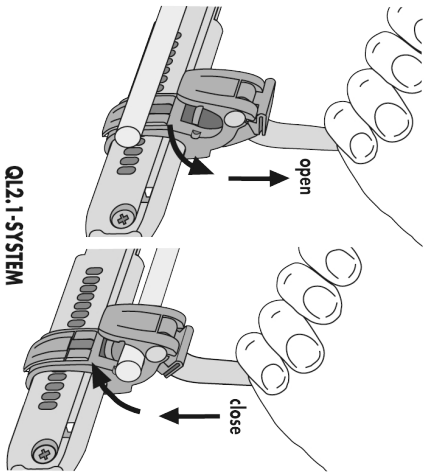


G

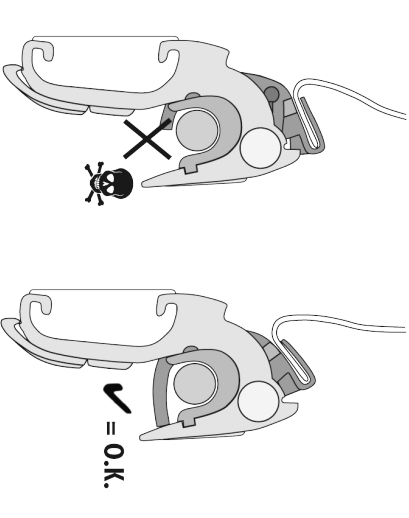
UM KEATZER ZU VERMEIDEN, BENUTZE RAHMENSCHUTZFOLE AN DEN KONTAKTPUNKTEN (nicht beibehalten)  
TO AVOID SCRATCHES, USE ADHESIVE FRAME PROTECTION AT CONTACT POINTS (not included)



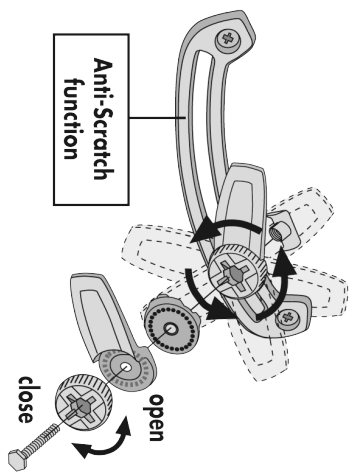
H



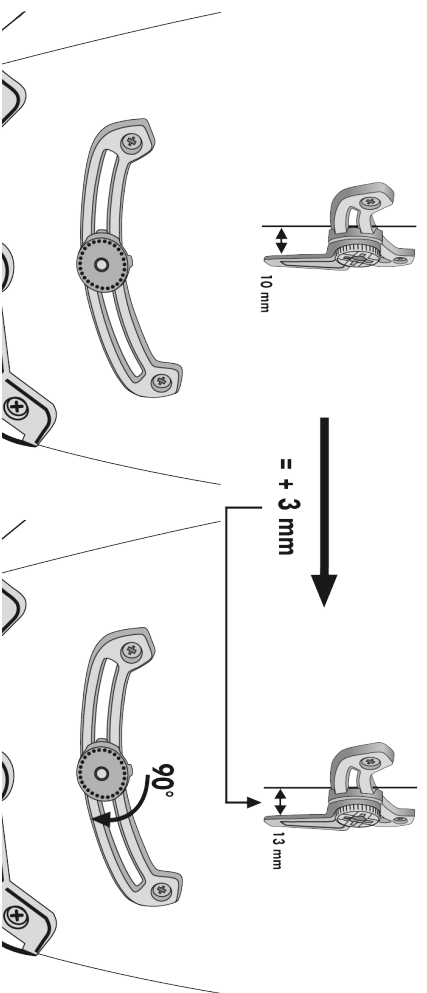
I



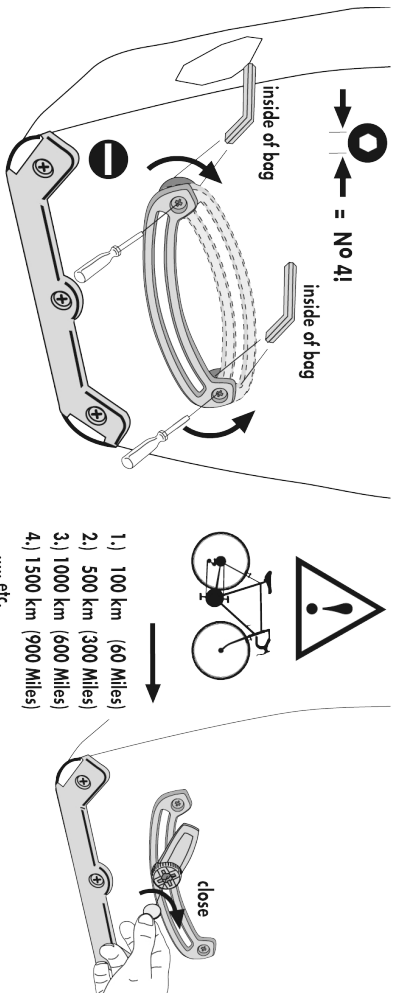
J



Option 1



Option 2



- 1.) 100 km (60 Miles)
- 2.) 500 km (300 Miles)
- 3.) 1000 km (600 Miles)
- 4.) 1500 km (900 Miles)
- ..... etc.